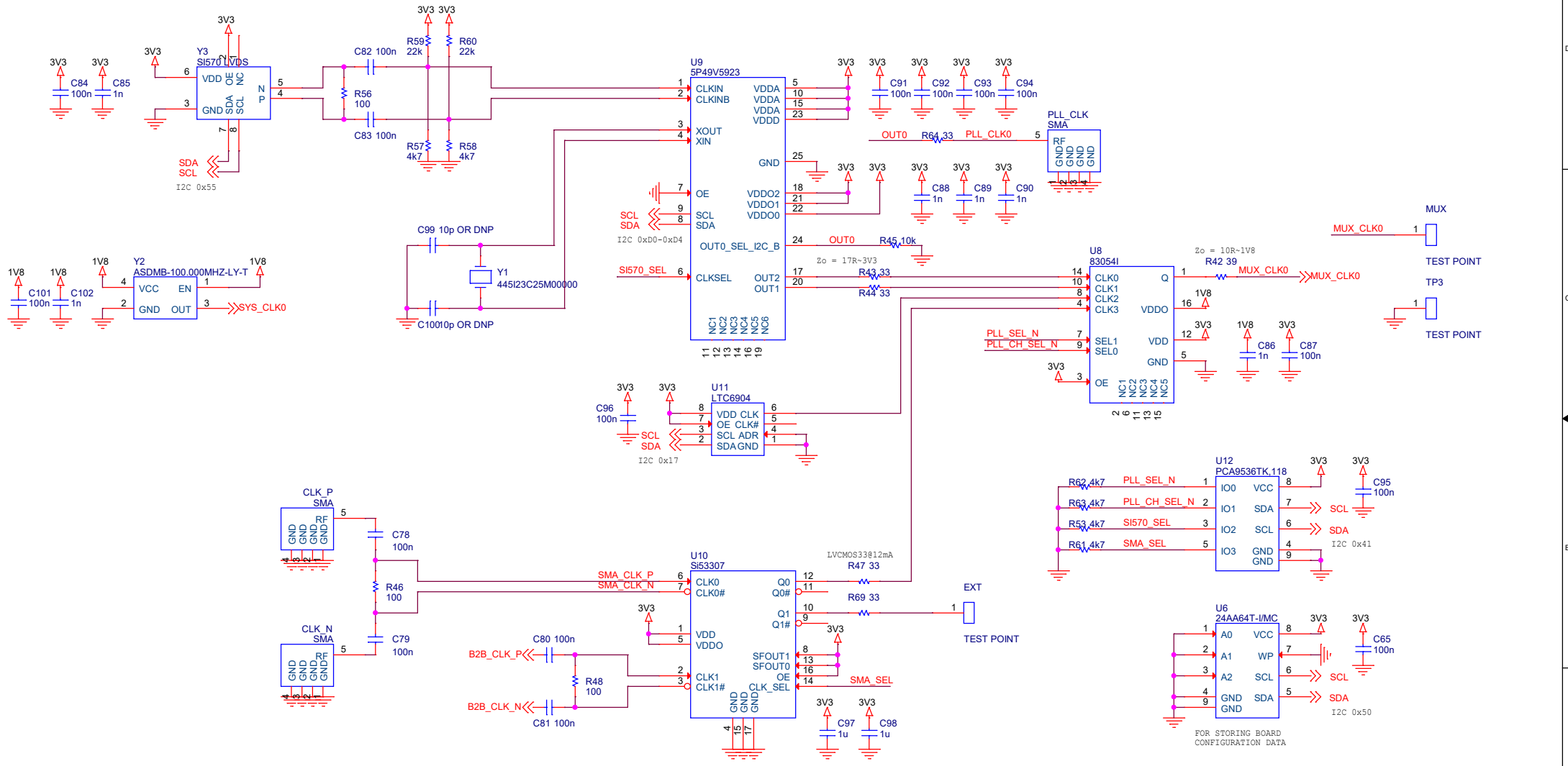
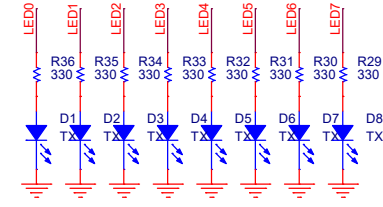
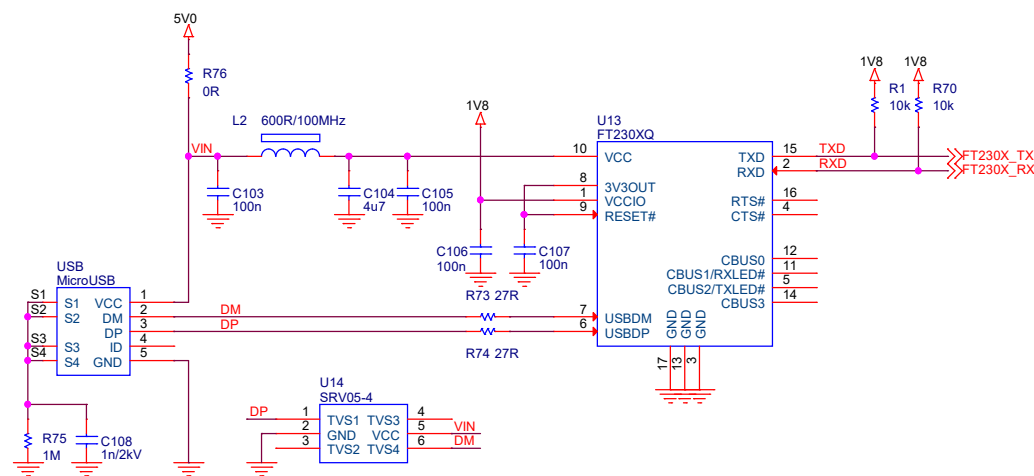
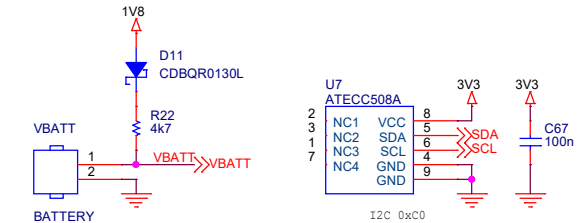
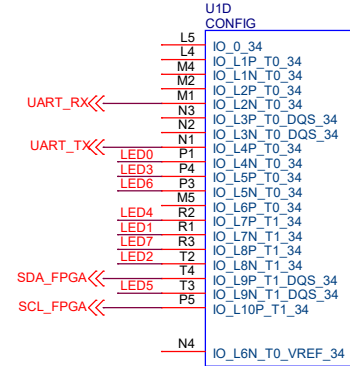
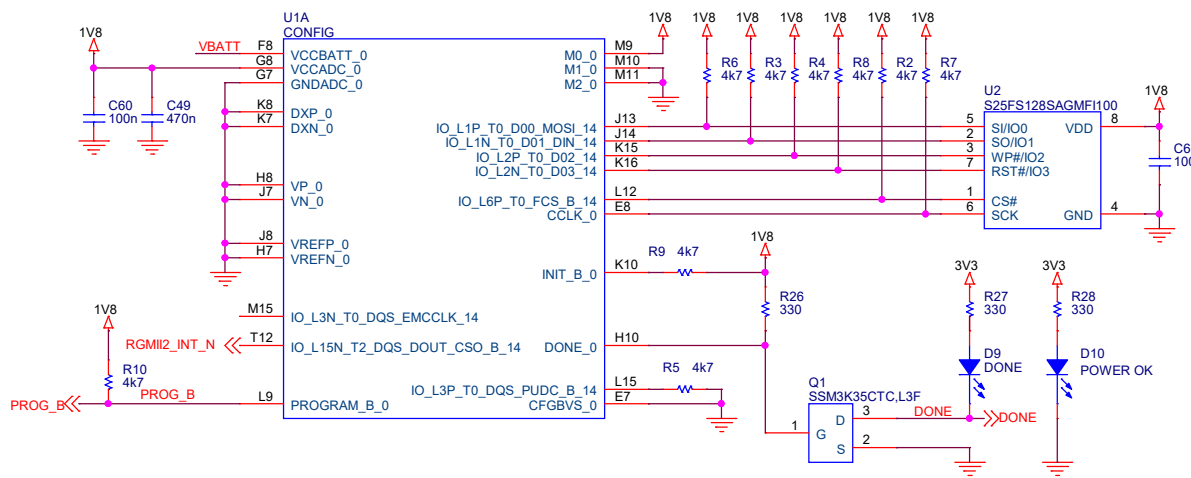


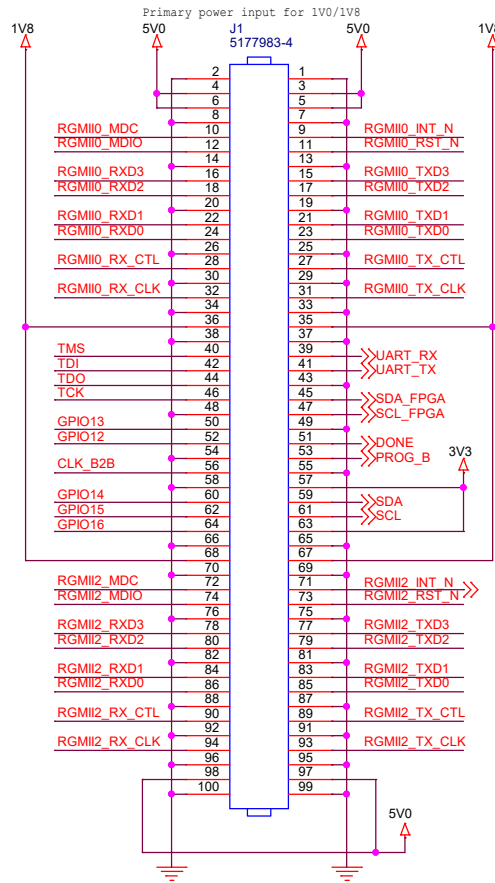
SMA TESTPOINT???



Title		<Title>
Size	Document Number	Rev
B	<Doc>	<RevCode>
Date:	Wednesday, October 04, 2017	Sheet 1 of 1



Title	<TTitle>	
Size	Document Number	Rev
B	<Doc>	<RevCode>
Date:	Wednesday, October 04, 2017	Sheet 1 of 2



U1E CONFIG

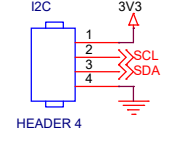
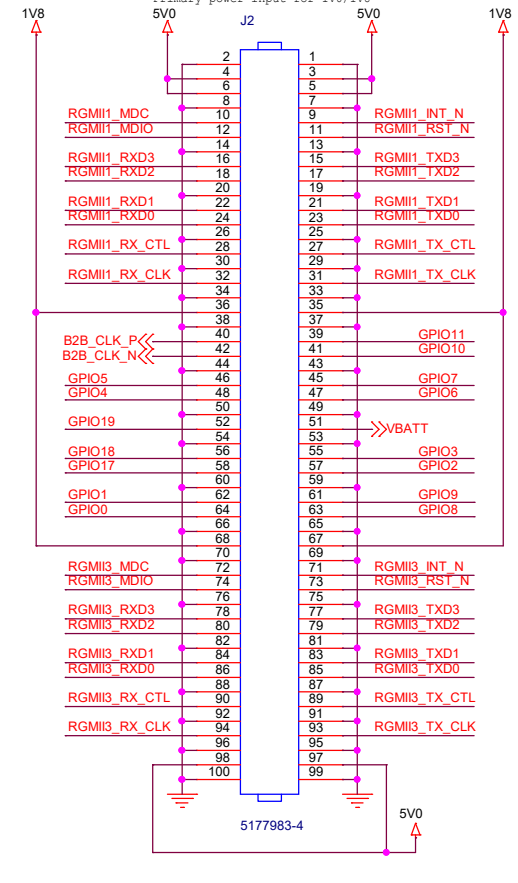
RGMII1 TXD2	E6	IO_0_35
GPIO6	B7	IO_L1P_T0_AD4P_35
GPIO5	A7	IO_L1N_T0_AD4N_35
GPIO11	B6	IO_L2P_T0_AD12P_35
GPIO7	A5	IO_L2N_T0_AD12N_35
RGMII1 RX_CTL	A4	IO_L3P_T0_DQS_AD5P_35
RGMII1 RXD0	B4	IO_L3N_T0_DQS_AD5N_35
RGMII1 RXD1	A3	IO_L4P_T0_35
GPIO10	C7	IO_L4N_T0_35
RGMII1 TX_CLK	C6	IO_L5P_T0_AD13P_35
RGMII1 TXD0	D6	IO_L5N_T0_AD13N_35
RGMII1 TXD1	C2	IO_L6P_T0_35
RGMII1 RXD3	B2	IO_L7P_T1_AD6P_35
RGMII1 RXD2	A2	IO_L7N_T1_AD6N_35
RGMII1 MDC	C1	IO_L8P_T1_AD14P_35
RGMII1 MDIO	B1	IO_L8N_T1_AD14N_35
RGMII1 INT_N	E1	IO_L9P_T1_DQS_AD7P_35
RGMII1 RST_N	E2	IO_L9N_T1_DQS_AD7N_35
CLK09	D1	IO_L10P_T1_AD15P_35
RGMII1 TXD3	E3	IO_L10N_T1_AD15N_35
RGMII1 RX_CTL	D3	IO_L11P_T1_SRCC_35
RGMII1 RX_CLK	D4	IO_L11N_T1_SRCC_35
RGMII1 TX_CTL	C4	IO_L12P_T1_MRCC_35
RGMII1 RST_N	F5	IO_L12N_T1_MRCC_35
RGMII0 RX_CLK	F4	IO_L13P_T2_MRCC_35
RGMII0 INT_N	F2	IO_L13N_T2_MRCC_35
RGMII0 MDC	G5	IO_L14P_T2_SRCC_35
RGMII0 RST_N	G2	IO_L14N_T2_SRCC_35
RGMII0 INT_N	G1	IO_L15P_T2_DQS_35
RGMII0 RXD3	H5	IO_L15N_T2_DQS_35
RGMII0 MDIO	H4	IO_L16P_T2_35
RGMII0 TXD3	J5	IO_L16N_T2_35
RGMII0 TXD2	H2	IO_L17P_T2_35
RGMII0 RXD1	J3	IO_L17N_T2_35
RGMII0 TXD0	H3	IO_L18P_T2_35
RGMII0 TXD1	J1	IO_L18N_T2_35
RGMII0 RX_CTL	L3	IO_L19P_T3_35
RGMII0 TX_CLK	L2	IO_L19N_T3_35
RGMII0 RXD0	K3	IO_L20P_T3_35
RGMII0 TX_CTL	K2	IO_L20N_T3_35
RGMII0 RXD2	J4	IO_L21P_T3_DQS_35
		IO_L21N_T3_DQS_35
		IO_L22P_T3_35
		IO_L22N_T3_35
		IO_L23P_T3_35
		IO_L23N_T3_35
		IO_L24P_T3_35
		IO_L24N_T3_35
		IO_25_35
		IO_25_35

U1B CONFIG

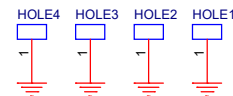
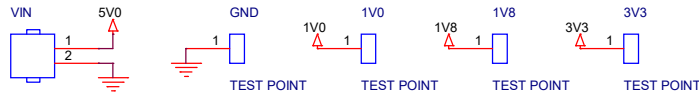
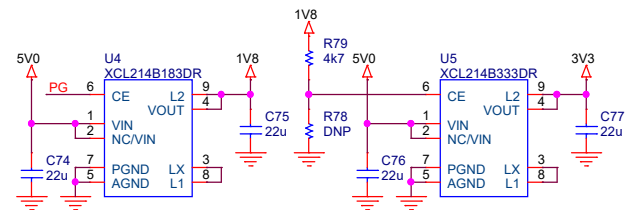
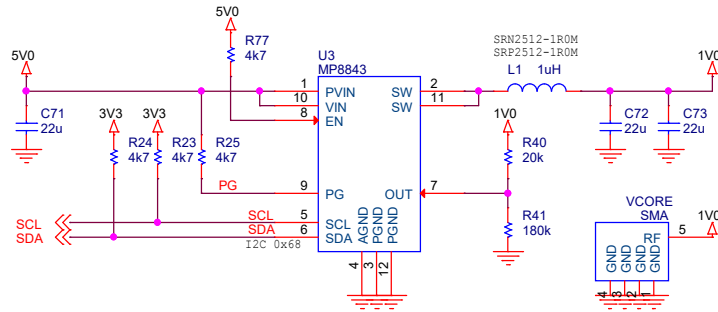
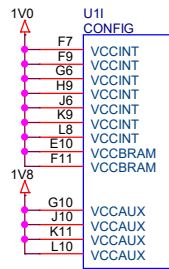
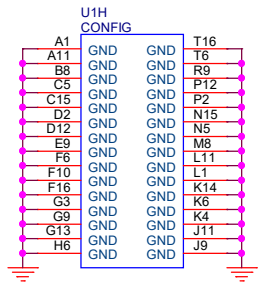
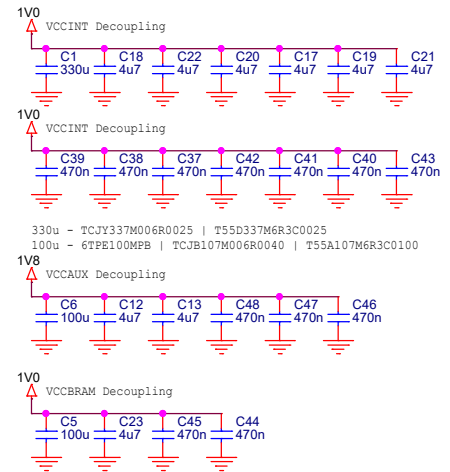
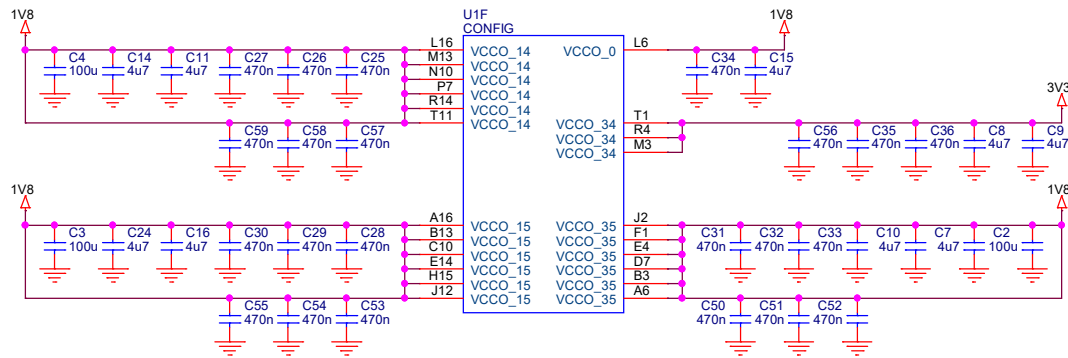
K12	IO_0_14
L14	IO_L4P_T0_D04_14
M14	IO_L4N_T0_D05_14
K13	IO_L5P_T0_D06_14
L13	IO_L5N_T0_D07_14
M16	IO_L7P_T1_D09_14
N16	IO_L7N_T1_D10_14
P15	IO_L8P_T1_D11_14
P16	IO_L8N_T1_D12_14
R15	IO_L9P_T1_DQS_14
R16	IO_L9N_T1_DQS_D13_14
T14	IO_L10P_T1_D14_14
T15	IO_L10N_T1_D15_14
N13	IO_L11P_T1_SRCC_14
P13	IO_L11N_T1_SRCC_14
N14	IO_L12P_T1_MRCC_14
P14	IO_L12N_T1_MRCC_14
N11	IO_L13P_T2_MRCC_14
N12	IO_L13N_T2_MRCC_14
P10	IO_L14P_T2_SRCC_14
P11	IO_L14N_T2_SRCC_14
R12	IO_L15P_T2_DQS_RDWR_B_14
R13	IO_L16P_T2_CSI_B_14
T13	IO_L16N_T2_A15_D31_14
R10	IO_L17P_T2_A14_D30_14
R11	IO_L17N_T2_A13_D29_14
N9	IO_L18P_T2_A12_D28_14
P9	IO_L18N_T2_A11_D27_14
M8	IO_L19P_T3_A10_D26_14
P8	IO_L19N_T3_A09_D25_14
R8	IO_L20P_T3_A08_D24_14
T9	IO_L20N_T3_A07_D23_14
T8	IO_L21P_T3_DQS_14
T7	IO_L21N_T3_DQS_A06_D22_14
T10	IO_L22P_T3_A05_D21_14
R5	IO_L22N_T3_A04_D20_14
T5	IO_L23P_T3_A03_D19_14
R6	IO_L23N_T3_A02_D18_14
R7	IO_L24P_T3_A01_D17_14
P6	IO_L24N_T3_A00_D16_14
N6	IO_L19N_T3_A09_D25_VREF_14
M12	IO_L6N_T0_D08_VREF_14

U1C CONFIG

RGMII3 TXD3	D10	IO_0_15
GPIO9	C8	IO_L1P_T0_AD0P_15
RGMII3 RST_N	C9	IO_L1N_T0_AD0N_15
GPIO4	A8	IO_L2P_T0_AD8P_15
GPIO3	A9	IO_L2N_T0_AD8N_15
GPIO2	B9	IO_L3P_T0_DQS_AD1P_15
GPIO1	A10	IO_L3N_T0_DQS_AD1N_15
GPIO0	B10	IO_L4P_T0_15
RGMII3 TXD2	B11	IO_L4N_T0_15
RGMII3 TXD1	A12	IO_L5P_T0_AD9P_15
GPIO8	D8	IO_L5N_T0_AD9N_15
RGMII3 RXD3	A13	IO_L6P_T0_15
RGMII3 TX_CLK	C14	IO_L7P_T1_AD2P_15
RGMII3 MDIO	B14	IO_L7N_T1_AD2N_15
RGMII3 RXD2	B15	IO_L8P_T1_AD10P_15
RGMII3 RXD1	A15	IO_L8N_T1_AD10N_15
RGMII3 RX_CTL	C16	IO_L9P_T1_DQS_AD3P_15
RGMII3 RXD0	B16	IO_L9N_T1_DQS_AD3N_15
RGMII3 TXD0	C11	IO_L10P_T1_AD11P_15
RGMII3 RX_CLK	C12	IO_L10N_T1_AD11N_15
RGMII3 TX_CTL	E12	IO_L11P_T1_SRCC_15
CLK08	E11	IO_L11N_T1_SRCC_15
FT230X_TX	F13	IO_L12P_T1_MRCC_15
FT230X_RX	F14	IO_L12N_T1_MRCC_15
GPIO19	H16	IO_L13P_T2_MRCC_15
GPIO18	G16	IO_L13N_T2_MRCC_15
GPIO17	H14	IO_L14P_T2_SRCC_15
RGMII3 INT_N	D9	IO_L14N_T2_SRCC_15
	G12	IO_L15P_T2_DQS_15
		IO_L15N_T2_DQS_ADV_B_15
		IO_L16P_T2_A28_15
		IO_L16N_T2_A27_15
		IO_L17P_T2_A26_15
		IO_L17N_T2_A25_15
		IO_L18P_T2_A24_15
		IO_L18N_T2_A23_15
		IO_L19P_T3_A22_15
		IO_L19N_T3_A21_15
		IO_L20P_T3_A20_15
		IO_L20N_T3_A19_15
		IO_L21P_T3_DQS_15
		IO_L21N_T3_DQS_A18_15
		IO_L22P_T3_A17_15
		IO_L22N_T3_A16_15
		IO_L23P_T3_FOE_B_15
		IO_L23N_T3_FWE_B_15
		IO_L24P_T3_RS1_15
		IO_L24N_T3_RS0_15
		IO_25_15



Title	<Title>	
Size B	Document Number	Rev
Date:	Wednesday, October 04, 2017	Sheet 1 of 1



Title		<Title>
Size	Document Number	Rev
B	<Doc>	<RevCode>
Date:	Wednesday, October 04, 2017	Sheet 2 of 2