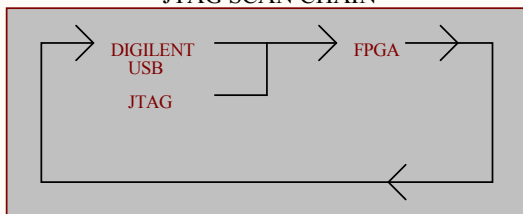
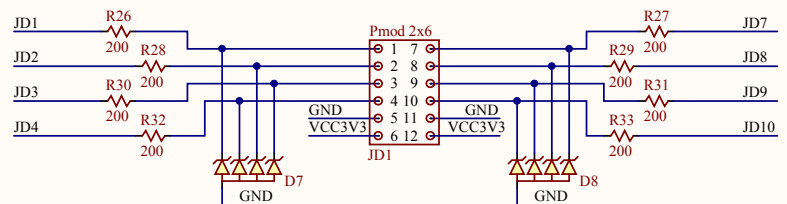
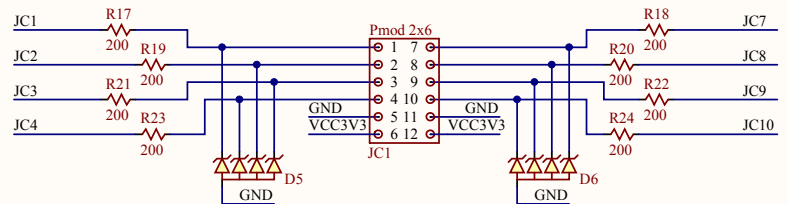
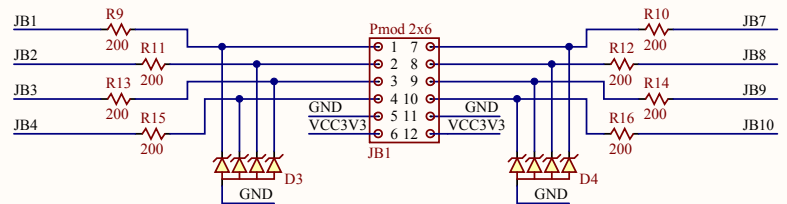
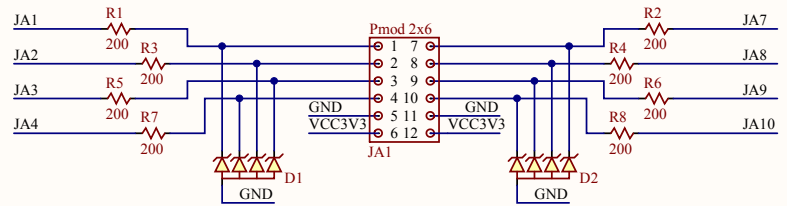


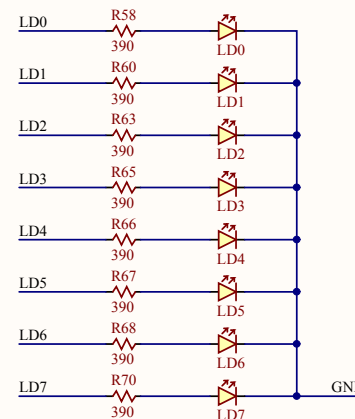
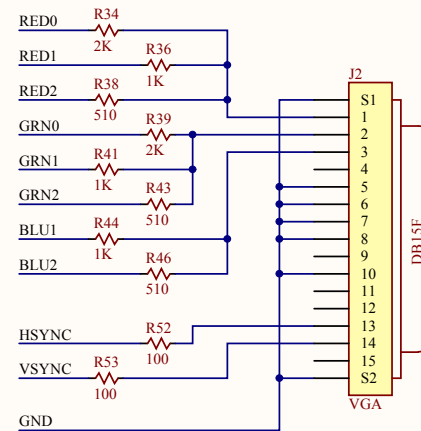
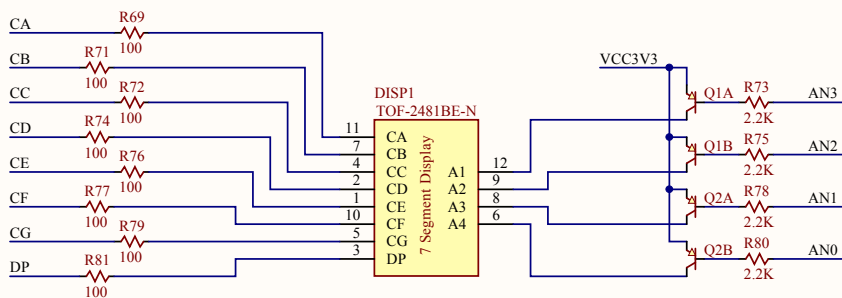
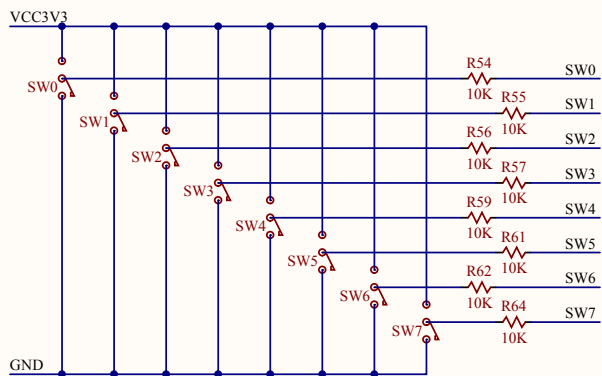
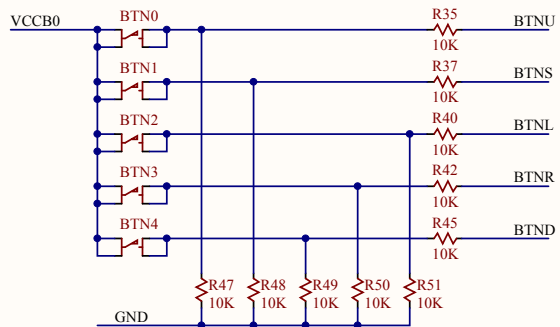
**JTAG SCAN CHAIN**



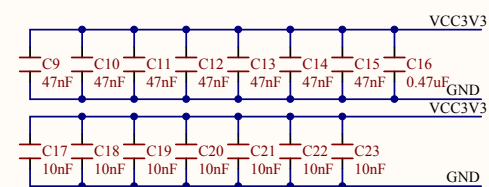
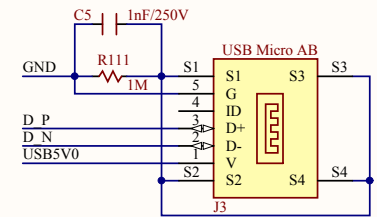
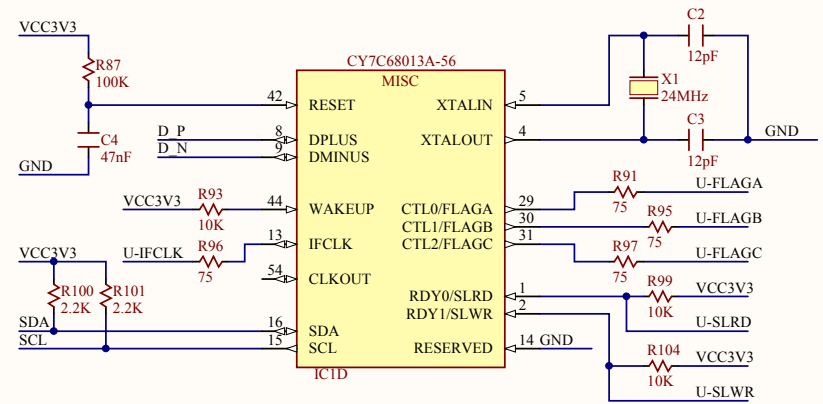
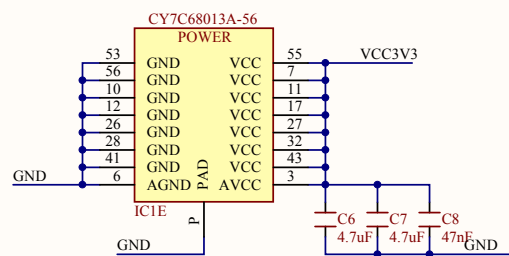
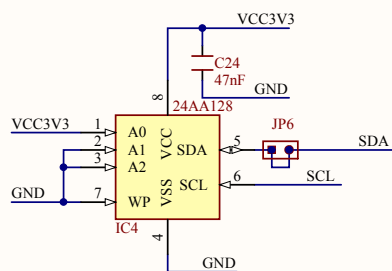
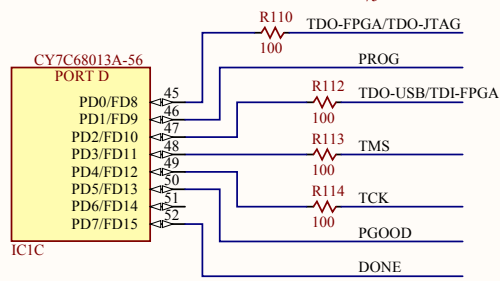
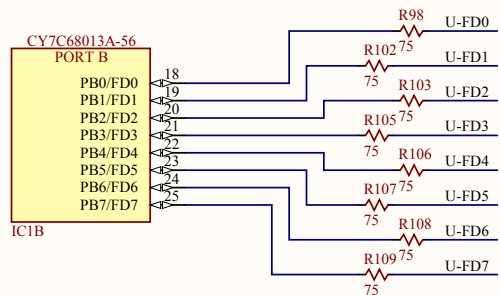
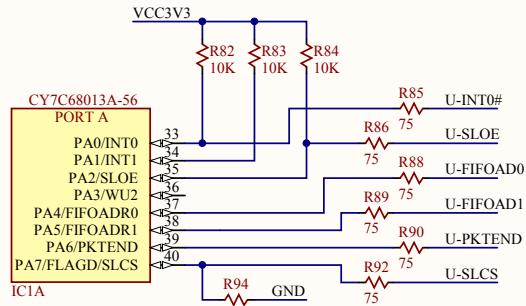
- Foot F1
- Foot F2
- Foot F3
- Foot F4



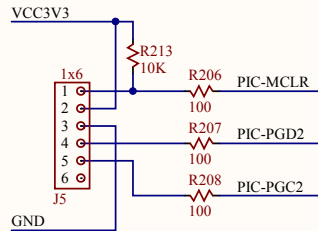
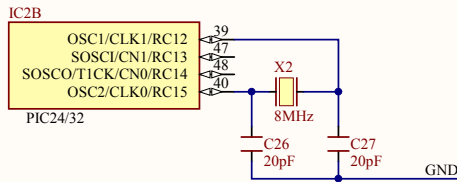
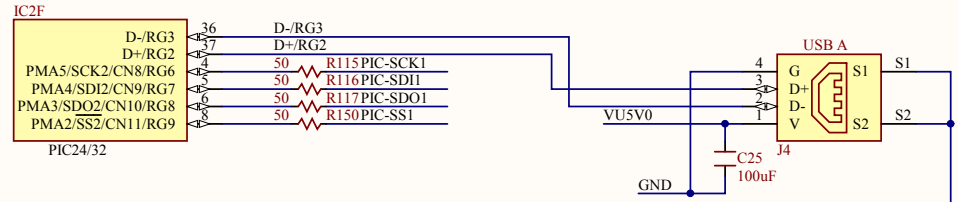
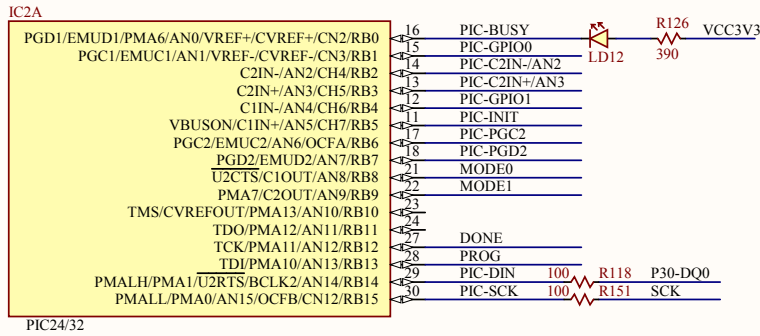
Title		Rev
<b>Nexys III</b>		<b>B.0</b>
Circuit		Copyright 2011
Expansion Header and IO		
Doc#	500-182	
Engineer	CC	
Author	GMA	
Date	2/17/2011	
Sheet#	1 out of 10	



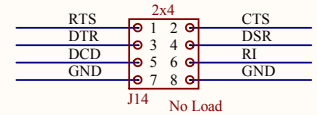
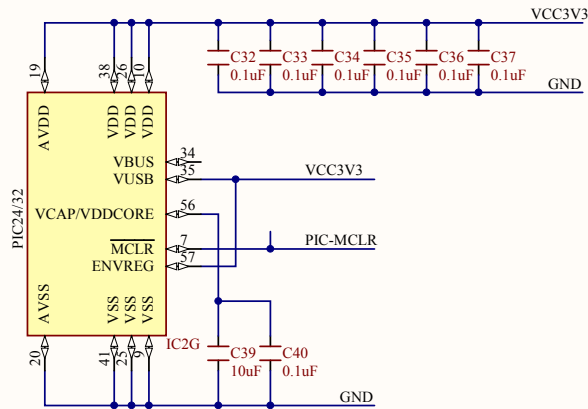
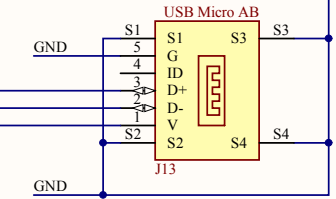
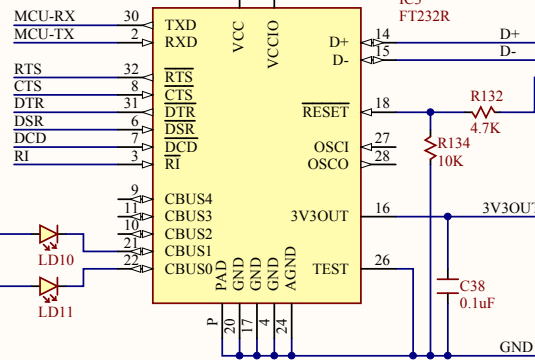
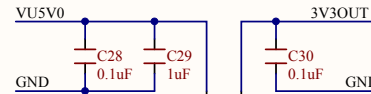
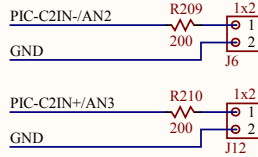
Title		<b>Nexys III</b>		Rev	<b>B.0</b>
				Copyright 2011	
Circuit	General IO				
Doc#	500-182				
Engineer	CC				
Author	GMA				
Date	2/17/2011				
Sheet#	2 out of 10				



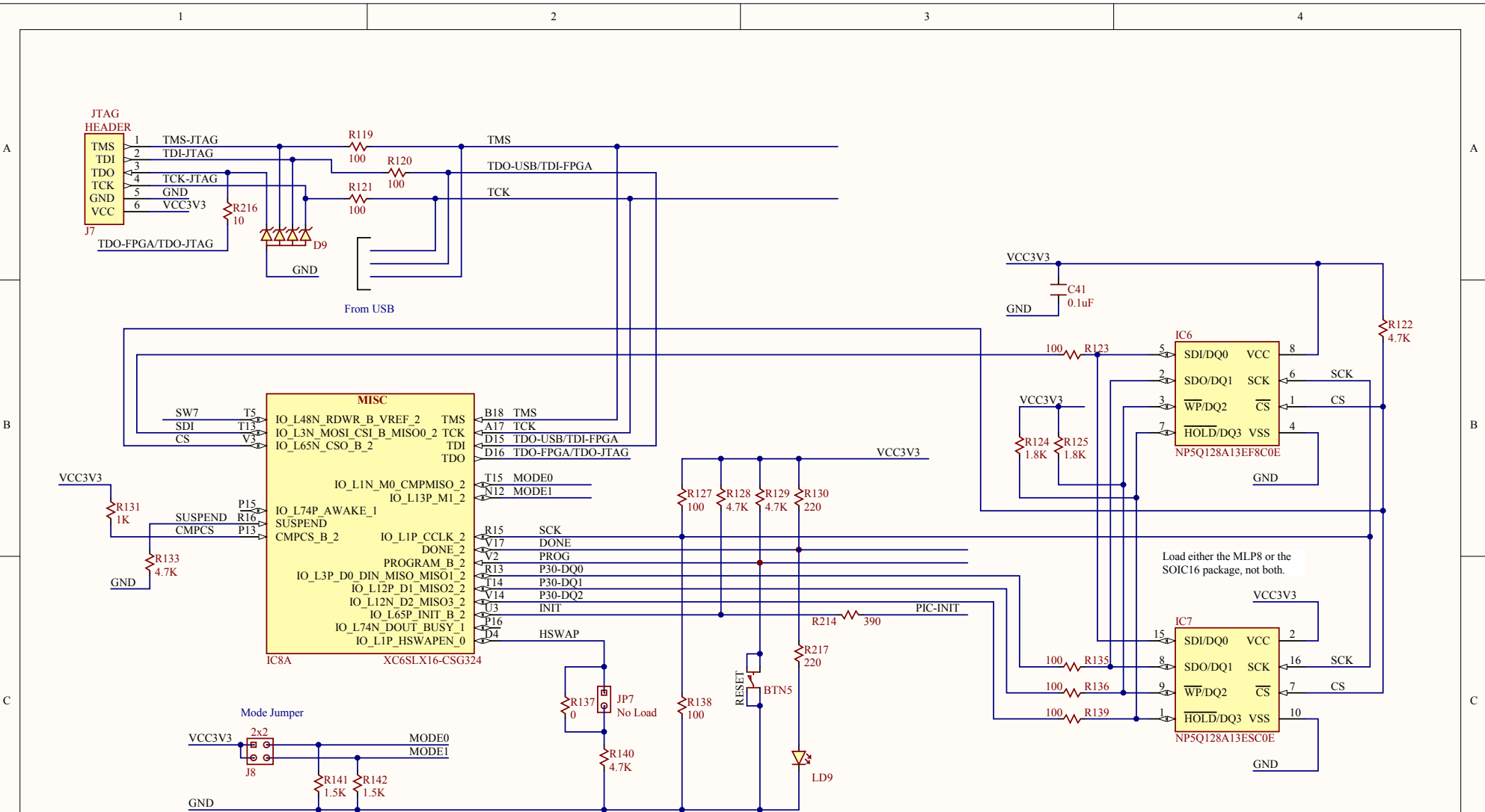
Title		Nexys III		Rev	B.0
Circuit		USB Controller		Copyright	2011
Doc#	500-182				
Engineer	CC				
Author	GMA				
Date	2/17/2011				
Sheet#	3 out of 10				




ANALOG HEADERS

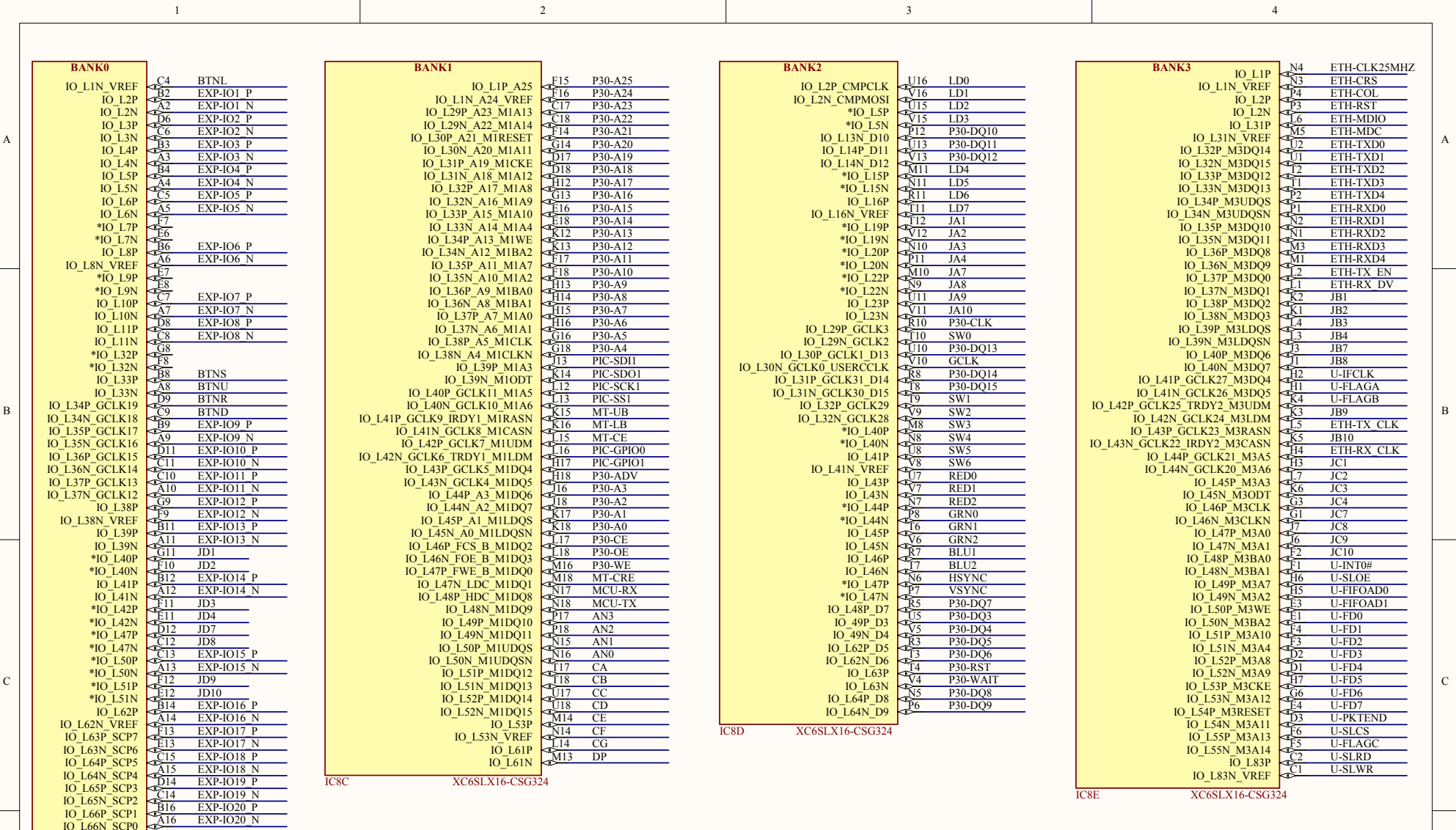


Title		<b>Nexys III</b>		Rev	<b>B.0</b>
Circuit		USB Host		Copyright 2011	
Doc#	500-182				
Engineer	CC				
Author	GMA				
Date	2/17/2011				
Sheet#	4 out of 10				

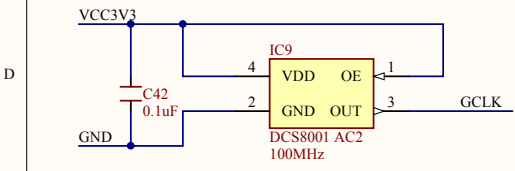


M1	M0	Configuration Mode
0	0	BPI
0	1	SPI - On Board SPI Flash
1	0	-----
1	1	Slave Serial - USB Memory

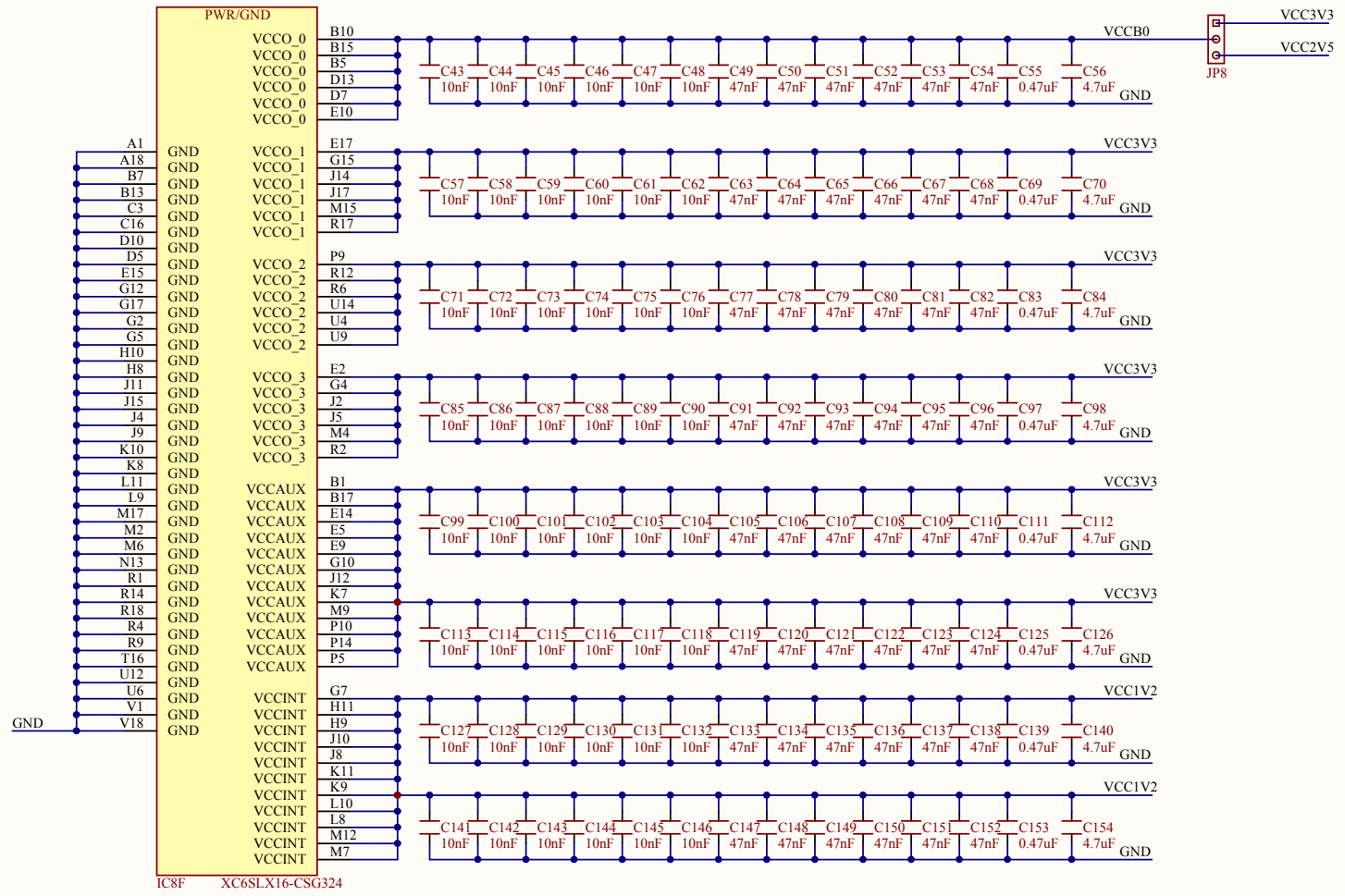
Title		<h1 style="margin: 0;">Nexys III</h1>	Rev	<h2 style="margin: 0;">B.0</h2> <small>Copyright 2011</small>
Circuit			Configuration	
Doc#		500-182		
Engineer		CC		
Author		GMA		
Date		2/17/2011		
Sheet#		5 out of 10		



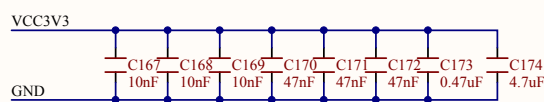
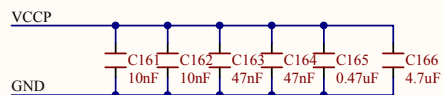
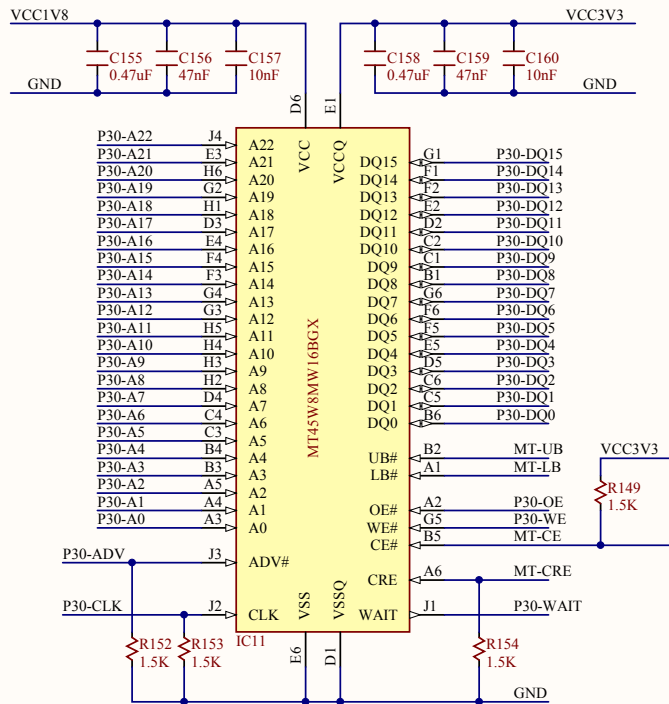
IC8B XC6SLX16-CSG324  
 NOTE: \* = LX16 Die only (except L50) on Bank 0



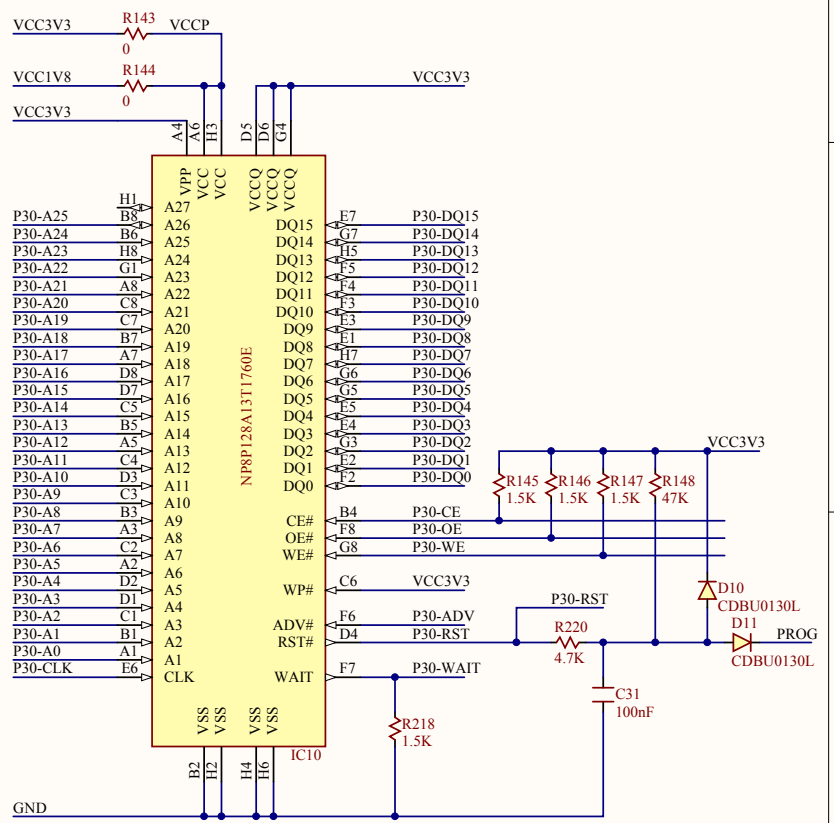
Title		Rev	
<h1>Nexys III</h1>		<h1>B.0</h1>	
		Copyright 2011	
Circuit	SPARTAN 6		
Doc#	500-182		
Engineer	CC		
Author	GMA		
Date	2/17/2011		
Sheet#	6 out of 10		




Title		Nexys III		Rev		B.0	
Circuit		Spartan 6 Power		Copyright		2011	
Doc#		500-182					
Author		GMA					
Date		2/17/2011					
Sheet#		7 out of 10					



Note: Load resistor to 3.3V and remove resistor to 1.8V for P33



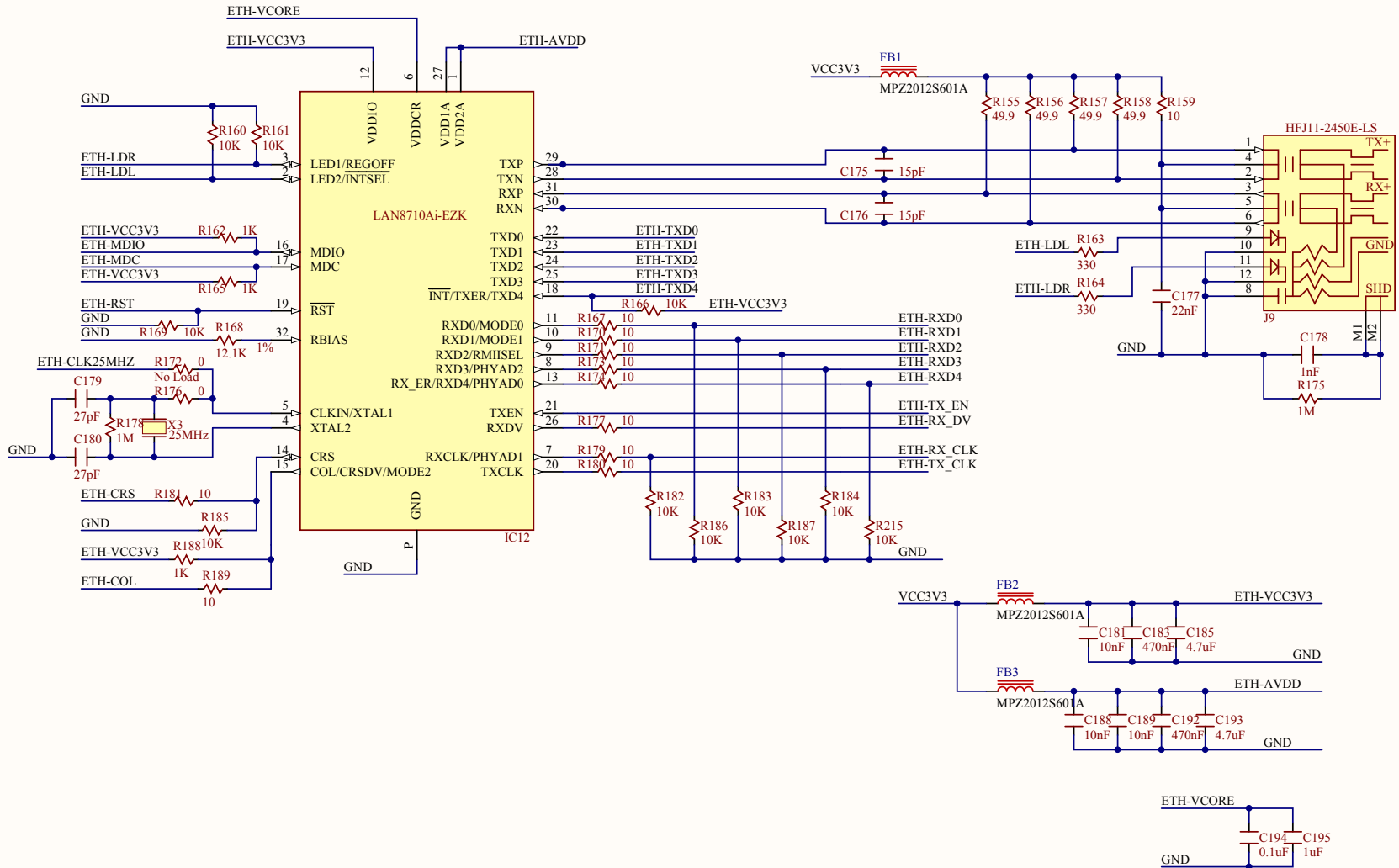
Title		Rev	
<h1>Nexys III</h1>		<h1>B.0</h1>	
		Copyright 2011	
Circuit	Memory		
Doc#	500-182		
Engineer	CC		
Author	GMA		
Date	2/17/2011		
Sheet#	8 out of 10		



**DIGILENT**  
BEYOND THEORY

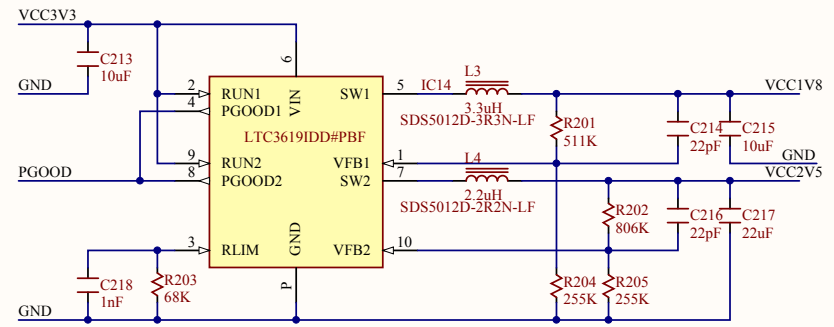
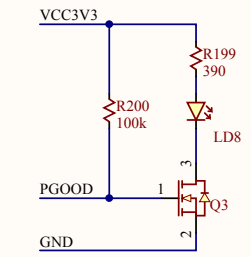
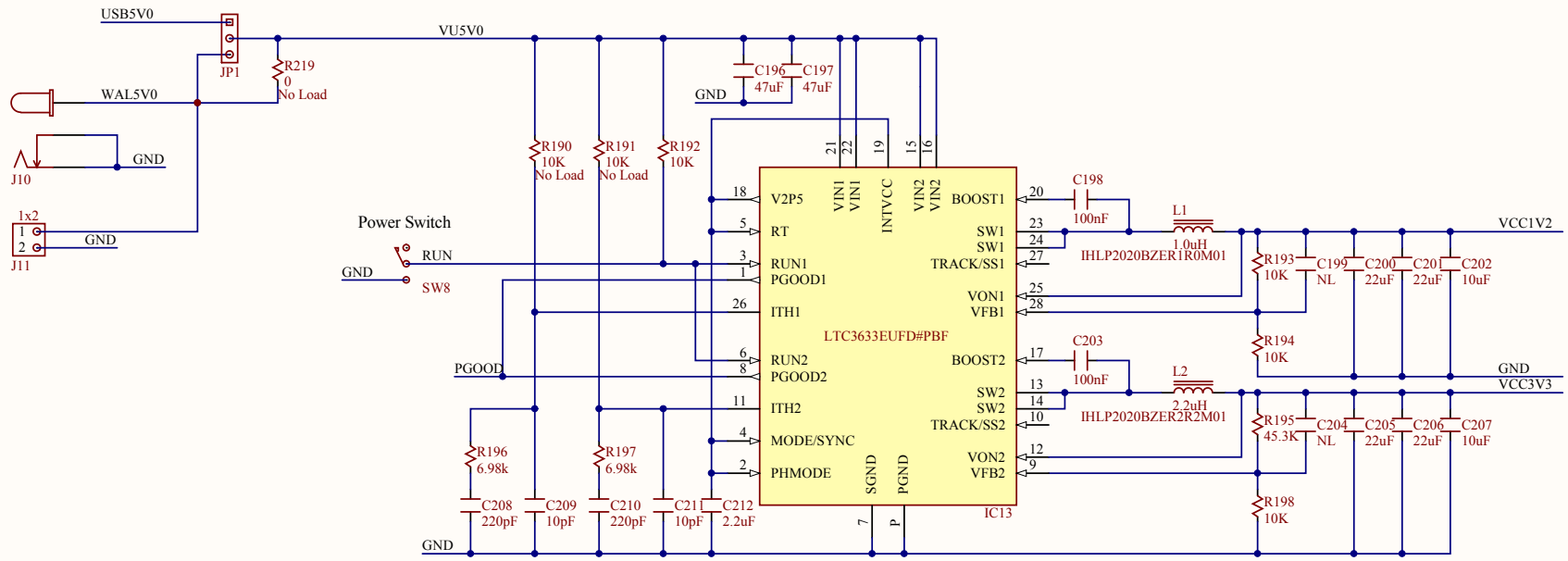


# ETHERNET



Title <h1 style="margin: 0;">Nexys III</h1>		Rev <h1 style="margin: 0;">B.0</h1> Copyright 2011
Circuit Ethernet		
Doc# 500-182		
Engineer CC		
Author GMA		
Date 2/17/2011		
Sheet# 9 out of 10		

**DIGILENT**  
 BEYOND THEORY



Title <b>Nexys III</b>		Rev <b>B.0</b> Copyright 2011
Circuit	Power	
Doc#	500-182	
Engineer	CC	
Author	GMA	
Date	2/17/2011	
Sheet#	10 out of 10	