

SW1 TE FSMSM, 222BMVBAR
http://www.xilinx.com/support/documentation/sw_manuals/xilinx14_7/pim_r_supported_spi_bpi_proms.htm
 2kontrolovat MODE (UG470)

U1B CONFIG

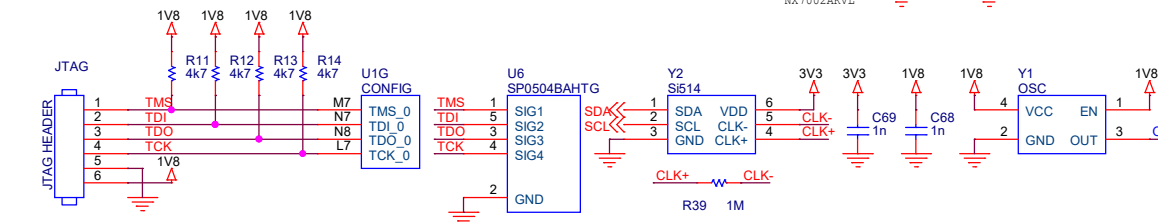
K12	IO_0_14
L14	IO_L4P_T0_D04_14
M14	IO_L4N_T0_D04_14
K13	IO_L5P_T0_D06_14
L13	IO_L5N_T0_D07_14
PB17	IO_L7P_T1_D09_14
M16	IO_L7N_T1_D10_14
PB18	IO_L8P_T1_D11_14
P15	IO_L8N_T1_D12_14
PB20	IO_L9P_T1_D08_14
R16	IO_L9N_T1_D08_14
PB21	IO_L10P_T1_D14_14
R15	IO_L10N_T1_D15_14
PB22	IO_L11P_T1_SRCC_14
T14	IO_L11N_T1_SRCC_14
PB23	IO_L12P_T1_MRCC_14
P13	IO_L12N_T1_MRCC_14
PB24	IO_L13P_T2_MRCC_14
N13	IO_L13N_T2_MRCC_14
P14	IO_L14P_T2_SRCC_14
N11	IO_L14N_T2_SRCC_14
P10	IO_L15P_T2_DQ5_RDWR_B_14
P11	IO_L16P_T2_CSI_B_14
R12	IO_L16N_T2_A15_D31_14
R13	IO_L17P_T2_A14_D30_14
T13	IO_L17N_T2_A13_D29_14
PB25	IO_L18P_T2_A12_D28_14
P6	IO_L18N_T2_A11_D27_14
P8	IO_L19P_T3_A10_D26_14
R8	IO_L20P_T3_A08_D24_14
T7	IO_L20N_T3_A07_D23_14
T8	IO_L21P_T3_DQ5_14
R11	IO_L21N_T3_DQ5_A06_D22_14
T10	IO_L22P_T3_A05_D21_14
R5	IO_L22N_T3_A04_D20_14
T5	IO_L23P_T3_A03_D19_14
R6	IO_L23N_T3_A02_D18_14
R7	IO_L24P_T3_A01_D17_14
P6	IO_L24N_T3_A00_D16_14
N6	IO_L19N_T3_A09_D25_VREF_14
M12	IO_L6N_T0_D08_VREF_14

U1C CONFIG

D10	IO_0_15
PB01	IO_L1P_T0_AD0P_15
PB02	IO_L1N_T0_AD0N_15
A8	IO_L2P_T0_AD12P_15
A9	IO_L2N_T0_AD12N_15
B9	IO_L3P_T0_DQS_AD1P_15
PB03	IO_L3N_T0_DQS_AD1N_15
B10	IO_L4P_T0_15
B11	IO_L4N_T0_15
PB05	IO_L5P_T0_AD9P_15
PB06	IO_L5N_T0_AD9N_15
D8	IO_L6P_T0_15
A13	IO_L7P_T1_AD2P_15
A14	IO_L7N_T1_AD2N_15
PB07	IO_L8P_T1_AD10P_15
PB08	IO_L8N_T1_AD10N_15
PB09	IO_L9P_T1_DQS_AD3P_15
PB10	IO_L9N_T1_DQS_AD3N_15
C16	IO_L10P_T1_AD11P_15
B16	IO_L10N_T1_AD11N_15
OSCS	IO_L11P_T1_SRCC_15
C12	IO_L11N_T1_SRCC_15
D13	IO_L12P_T1_MRCC_15
C13	IO_L12N_T1_MRCC_15
E12	IO_L13P_T2_MRCC_15
E13	IO_L13N_T2_MRCC_15
E11	IO_L14P_T2_SRCC_15
D14	IO_L14N_T2_SRCC_15
D15	IO_L15P_T2_DQS_15
F12	IO_L15N_T2_DQS_ADV_B_15
F13	IO_L16P_T2_A28_15
T8	IO_L16N_T2_A27_15
D16	IO_L17P_T2_A26_15
F15	IO_L17N_T2_A25_15
E15	IO_L18P_T2_A24_15
H11	IO_L18N_T2_A23_15
H12	IO_L19P_T3_A22_15
H13	IO_L20P_T3_A20_15
G14	IO_L20N_T3_A19_15
PB13	IO_L21P_T3_DQS_15
H16	IO_L21N_T3_DQS_A18_15
G16	IO_L22P_T3_A17_15
J15	IO_L22N_T3_A16_15
J16	IO_L23P_T3_FOE_B_15
H14	IO_L23N_T3_FWE_B_15
G15	IO_L24P_T3_RS0_15
G11	IO_L24N_T3_RS0_15
D9	IO_L6N_T0_VREF_15
G12	IO_L19N_T3_A21_VREF_15

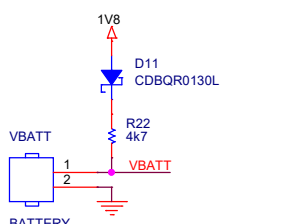
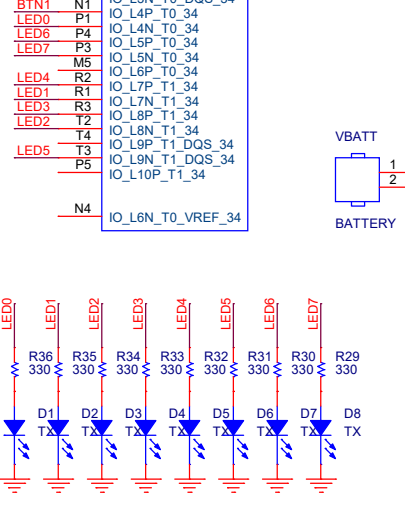
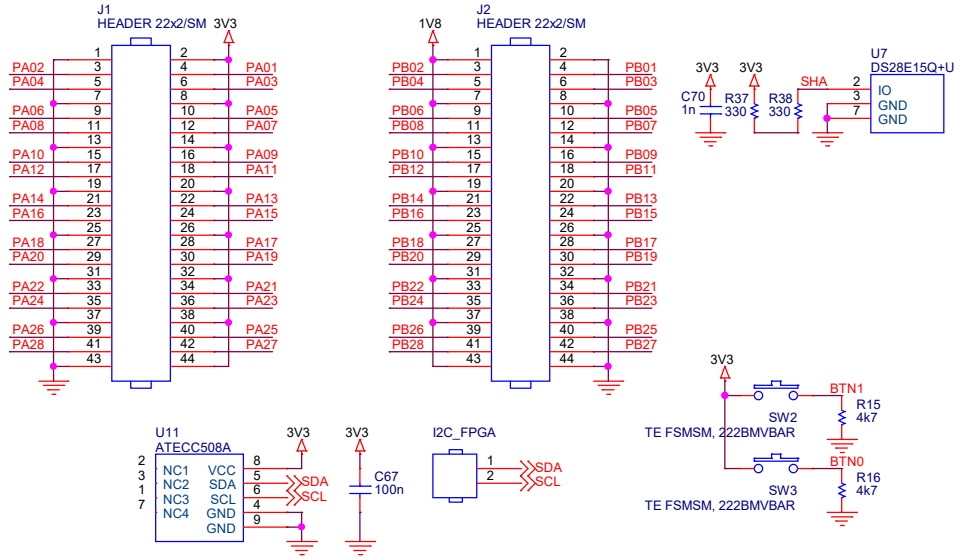
U1E CONFIG

PA01	IO_0_35
B7	IO_L1P_T0_AD4P_35
PA02	IO_L1N_T0_AD4N_35
B5	IO_L2P_T0_AD12P_35
B6	IO_L2N_T0_AD12N_35
PA05	IO_L3P_T0_DQS_AD5P_35
B5	IO_L3N_T0_DQS_AD5N_35
PA04	IO_L4N_T0_35
PA07	IO_L4N_T0_35
PA08	IO_L4N_T0_35
C7	IO_L5P_T0_AD13P_35
C6	IO_L5N_T0_AD13N_35
D6	IO_L6P_T0_35
PA11	IO_L7P_T1_AD6P_35
C3	IO_L7N_T1_AD6N_35
PA09	IO_L8P_T1_AD14P_35
PA10	IO_L8N_T1_AD14N_35
PA13	IO_L9P_T1_DQS_AD7P_35
C1	IO_L9N_T1_DQS_AD7N_35
PA14	IO_L10P_T1_AD15P_35
E1	IO_L10N_T1_AD15N_35
PA16	IO_L10N_T1_AD15N_35
D3	IO_L11P_T1_SRCC_35
E3	IO_L11N_T1_SRCC_35
CLK+	IO_L12P_T1_MRCC_35
CLK-	IO_L12N_T1_MRCC_35
F5	IO_L13P_T2_MRCC_35
F4	IO_L13N_T2_MRCC_35
F2	IO_L14P_T2_SRCC_35
F3	IO_L14N_T2_SRCC_35
TX	IO_L15P_T2_DQS_35
TX	IO_L15N_T2_DQS_35
PA17	IO_L16P_T2_35
G4	IO_L16N_T2_35
PA19	IO_L17P_T2_35
G2	IO_L17N_T2_35
PA20	IO_L17P_T2_35
H1	IO_L18P_T2_35
H5	IO_L18N_T2_35
PA21	IO_L19P_T3_35
H2	IO_L20P_T3_35
H1	IO_L20N_T3_35
H3	IO_L21P_T3_DQS_35
K1	IO_L21N_T3_DQS_35
H3	IO_L22P_T3_35
J1	IO_L22N_T3_35
PA23	IO_L23P_T3_35
L3	IO_L23N_T3_35
PA25	IO_L23P_T3_35
L2	IO_L23N_T3_35
PA26	IO_L24P_T3_35
K2	IO_L24N_T3_35
PA27	IO_L24P_T3_35
K5	IO_L24N_T3_35
PA28	IO_L24P_T3_35
K2	IO_L24N_T3_35
D5	IO_L6N_T0_VREF_35
J4	IO_L19N_T3_VREF_35

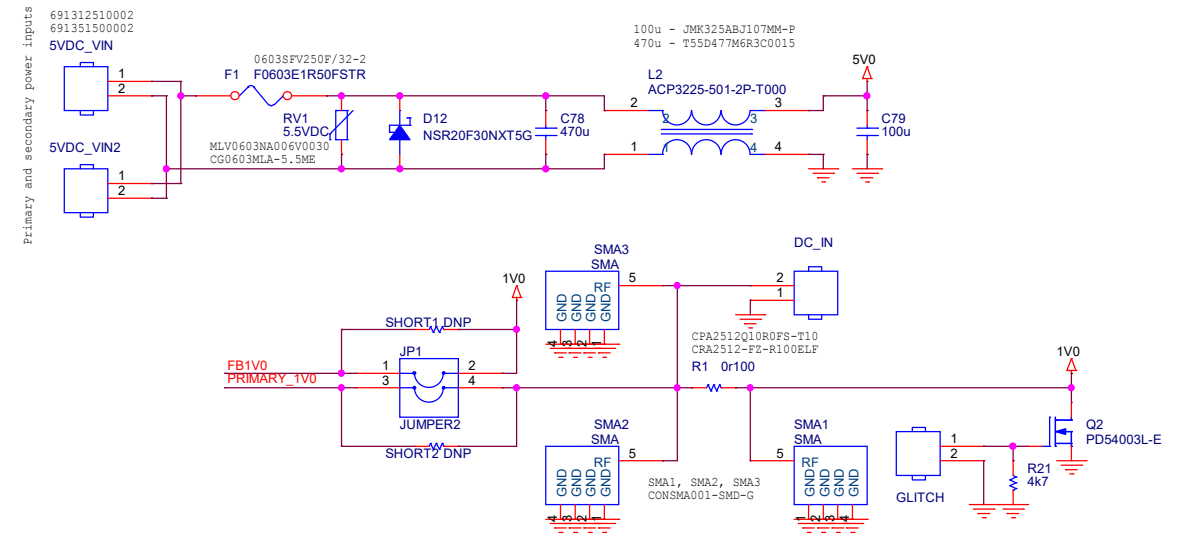
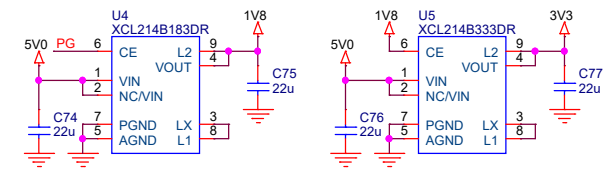
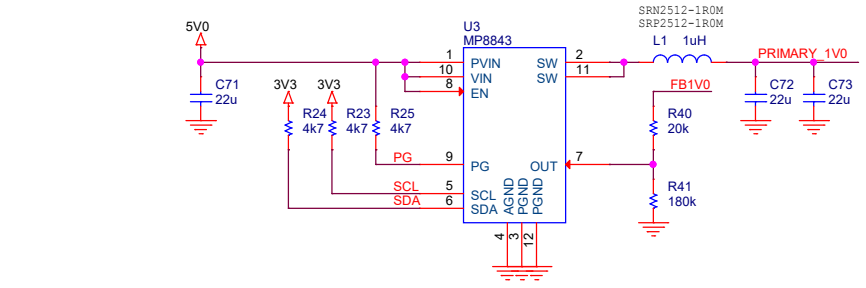
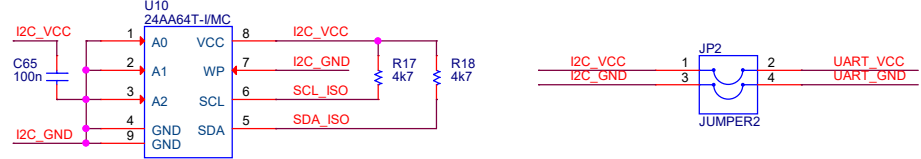
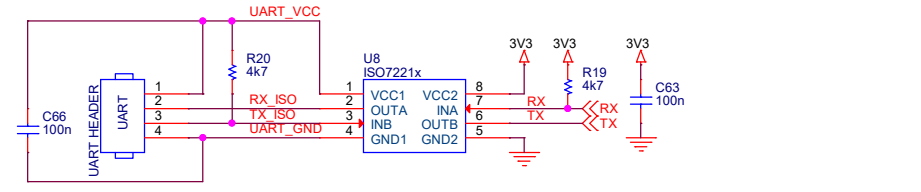
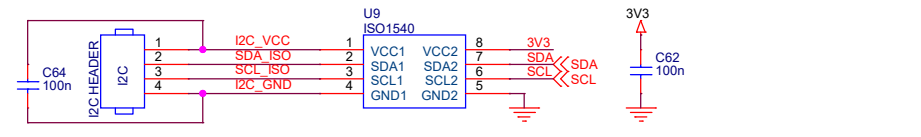
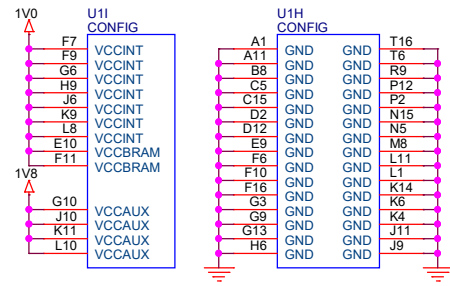
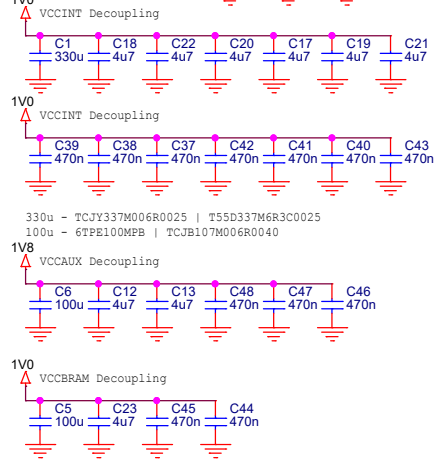
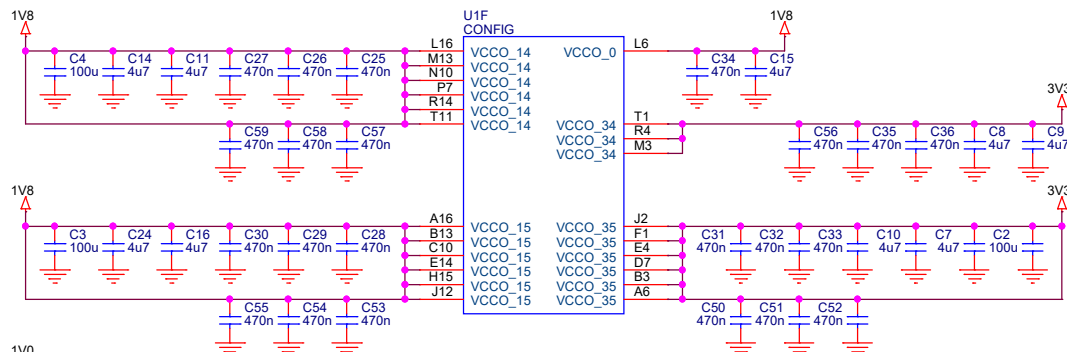


U1D CONFIG

L5	IO_0_34
L4	IO_L1P_T0_34
M4	IO_L1N_T0_34
M2	IO_L2P_T0_34
M1	IO_L2N_T0_34
N3	IO_L2N_T0_34
N2	IO_L3P_T0_DQS_34
N1	IO_L3N_T0_DQS_34
P1	IO_L4P_T0_34
P4	IO_L4N_T0_34
P3	IO_L5N_T0_34
M5	IO_L6P_T0_34
R2	IO_L7P_T1_34
R1	IO_L7N_T1_34
R3	IO_L8P_T1_34
T4	IO_L8N_T1_34
T3	IO_L9P_T1_DQS_34
T4	IO_L9N_T1_DQS_34
P5	IO_L10P_T1_34
N4	IO_L6N_T0_VREF_34



Title	<Title>	Rev	<RevCode>
Size	Document Number		
B	<Doc>		
Date:	Thursday, June 22, 2017	Sheet	1 of 2



Title	<Title>	
Size	Document Number	Rev
B	<Doc>	<RevCode>
Date:	Thursday, June 22, 2017	Sheet 2 of 2