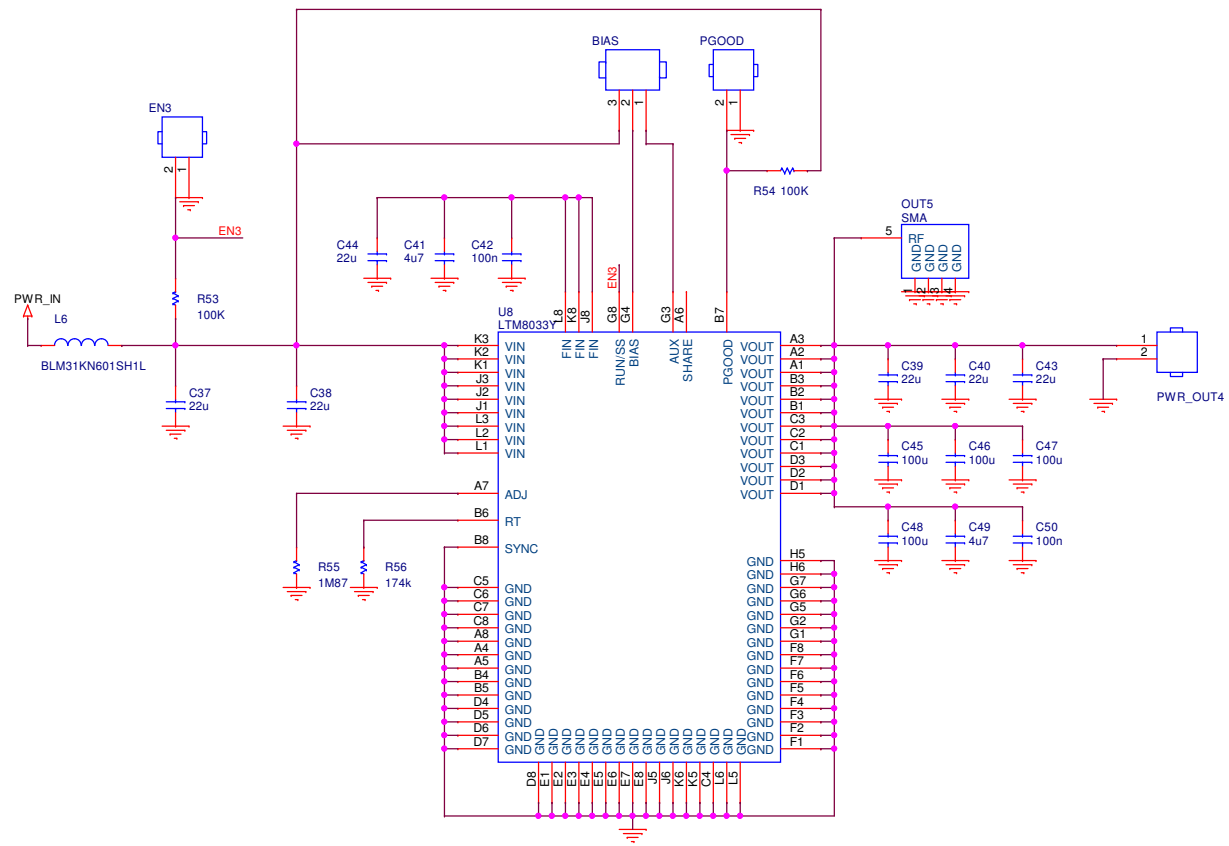


Title	<Title>	Rev	<RevCode>
Size	B	Document Number	<Doc>
Date:	Tuesday, October 24, 2017	Sheet	1 of 1



Title		<Title>
Size	Document Number	Rev
A3	<Doc>	<Rev Code>
Date:	Tuesday, October 24, 2017	Sheet 1 of 1